

APX-5700

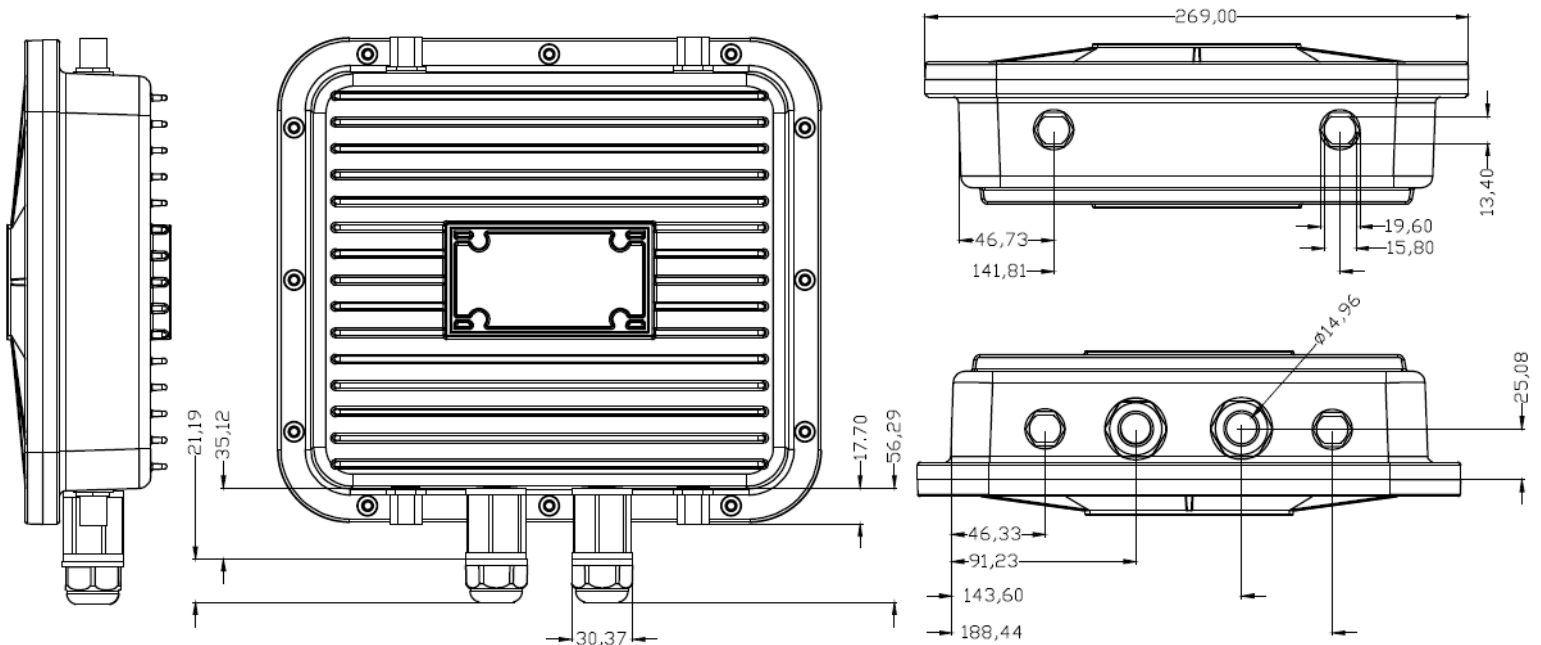
Industrial IP67 Outdoor Gigabit IEEE 802.11a/b/g/n Wireless
Dual Independent Radios AP/Client/Bridge/Repeater w/ Routing



Features

- ▶ Single Unit Design Featuring Dual Independent Radios
- ▶ IP67 Outdoor Waterproof Housing Design
- ▶ IEEE 802.11a/b/g/n Compliant
- ▶ Industrial MIMO Wireless Solution
- ▶ Maximum Data Rate: 300Mbps
- ▶ 2* 10/100/1000Tx Fast Ethernet Ports
- ▶ Supports IEEE 802.11i / 802.1x Authentication
- ▶ Supports IEEE 802.1q VLAN Tagging
- ▶ Secured Management by HTTPS and SSH
- ▶ Supports Spanning Tree Protocol (STP)
- ▶ PD (Power Device) IEEE 802.3af Compliant
- ▶ Temperature Range: -20 to 70 °C
- ▶ Pole Mounting Bracket is included
- ▶ 5 Year Warranty

▶ Dimensions



▶ Radio Specification

TX SPECIFICATIONS										
	DataRate	TX Power (per chain)	TX Power (2 chains)	Tolerance		DataRate	TX Power (per chain)	TX Power (2 chains)	Tolerance	
802.11b	11Mbps	26dBm	29dBm	±2dB	802.11g	6-24Mbps	26dBm	29dBm	±2dB	
	5.5Mbps	26dBm	29dBm	±2dB		36Mbps	26dBm	29dBm	±2dB	
	2Mbps	26dBm	29dBm	±2dB		48Mbps	22dBm	25dBm	±2dB	
	1Mbps	26dBm	29dBm	±2dB		54Mbps	21dBm	24dBm	±2dB	
	DataRate	TX Power (per chain)	TX Power (2 chains)	Tolerance		DataRate	TX Power (per chain)	TX Power (2 chains)	Tolerance	
2.4GHz 11n HT20	MCS 0/8	23dBm	26dBm	±2dB	2.4GHz 11n HT40	MCS 0/8	22dBm	25dBm	±2dB	
	MCS 1/9	23dBm	26dBm	±2dB		MCS 1/9	22dBm	25dBm	±2dB	
	MCS 2/10	23dBm	26dBm	±2dB		MCS 2/10	22dBm	25dBm	±2dB	
	MCS 3/11	23dBm	26dBm	±2dB		MCS 3/11	22dBm	25dBm	±2dB	
	MCS 4/12	23dBm	26dBm	±2dB		MCS 4/12	22dBm	25dBm	±2dB	
	MCS 5/13	22dBm	25dBm	±2dB		MCS 5/13	22dBm	25dBm	±2dB	
	MCS 6/14	21dBm	24dBm	±2dB		MCS 6/14	21dBm	24dBm	±2dB	
MCS 7/15	20dBm	23dBm	±2dB	MCS 7/15	20dBm	23dBm	±2dB			
RX SPECIFICATIONS										
	DataRate	Sensitivity (2 chains)	Tolerance		DataRate	Sensitivity (2 chains)	Tolerance			
802.11g	6 Mbps	-94dBm	±2dB	802.11b	1 Mbps	-94dBm	±2dB	2.4GHz 11n HT40		
	9 Mbps	-94dBm	±2dB		5.5Mbps	-94dBm	±2dB			
	12 Mbps	94dBm	±2dB		11 Mbps	-92dBm	±2dB			
	18 Mbps	-92dBm	±2dB							
	24Mbps	-88dBm	±2dB							
	38Mbps	-82dBm	±2dB							
	48Mbps	-76dBm	±2dB							
54Mbps	-74dBm	±2dB								
2.4GHz 11n HT20	MCS0	-92dBm	±2dB	MCS0	-90dBm	±2dB				
	MCS1	-91dBm	±2dB	MCS1	-86dBm	±2dB				
	MCS2	-89dBm	±2dB	MCS2	-85dBm	±2dB				
	MCS3	-86dBm	±2dB	MCS3	-82dBm	±2dB				
	MCS4	-81dBm	±2dB	MCS4	-79dBm	±2dB				
	MCS5	-78dBm	±2dB	MCS5	-75dBm	±2dB				
	MCS6	-76dBm	±2dB	MCS6	-74dBm	±2dB				
MCS7	-73dBm	±2dB	MCS7	-71dBm	±2dB					
TX SPECIFICATIONS										
	DataRate	TX Power (per chain)	TX Power (2 chains)	Tolerance						
802.11a	6-24Mbps	26dBm	29dBm	±2dB						
	36Mbps	24dBm	27dBm	±2dB						
	48Mbps	23dBm	26dBm	±2dB						
	54Mbps	21dBm	24dBm	±2dB						
	DataRate	TX Power (per chain)	TX Power (2 chains)	Tolerance		DataRate	TX Power (per chain)	TX Power (2 chains)	Tolerance	
5GHz 11n HT 20	MCS 0/8	25dBm	28dBm	±2dB	5GHz 11n HT 40	MCS 0/8	24dBm	27dBm	±2dB	
	MCS 1/9	25dBm	28dBm	±2dB		MCS 1/9	24dBm	27dBm	±2dB	
	MCS 2/10	24dBm	27dBm	±2dB		MCS 2/10	23dBm	26dBm	±2dB	
	MCS 3/11	24dBm	27dBm	±2dB		MCS 3/11	23dBm	26dBm	±2dB	
	MCS 4/12	22dBm	25dBm	±2dB		MCS 4/12	22dBm	25dBm	±2dB	
	MCS 5/13	20.5dBm	23.5dBm	±2dB		MCS 5/13	20.5dBm	23.5dBm	±2dB	
	MCS 6/14	20.5dBm	23.5dBm	±2dB		MCS 6/14	20dBm	23dBm	±2dB	
	MCS 7/15	20dBm	23dBm	±2dB		MCS 7/15	19dBm	22dBm	±2dB	
	MCS 7/15	19dBm@5.825GHz	22dBm	±2dB		MCS 7/15	18dBm@5.795GHz	21dBm	±2dB	
RX SPECIFICATIONS										
	DataRate	Sensitivity (2 chains)	Tolerance		DataRate	Sensitivity (2 chains)	Tolerance			
802.11a	6M	-96dBm	±2dB	802.11a	24M	-89dBm	±2dB	5GHz 11n HT 40		
	9M	-96dBm	±2dB		36M	-86dBm	±2dB			
	12M	-95dBm	±2dB		48M	-82dBm	±2dB			
	18M	-93dBm	±2dB		54M	-79dBm	±2dB			
5GHz 11n HT 20	MCS0	-95dBm	±2dB	MCS0	-92dBm	±2dB				
	MCS1	-93dBm	±2dB	MCS1	-90dBm	±2dB				
	MCS2	-90dBm	±2dB	MCS2	-87dBm	±2dB				
	MCS3	-89dBm	±2dB	MCS3	-84dBm	±2dB				
	MCS4	-85dBm	±2dB	MCS4	-81dBm	±2dB				
	MCS5	-81dBm	±2dB	MCS5	-77dBm	±2dB				
	MCS6	-79dBm	±2dB	MCS6	-76dBm	±2dB				
MCS7	-75dBm	±2dB	MCS7	-74dBm	±2dB					

► Specifications

Interface

Ethernet Port	2 x RJ45 - 10/100/1000Tx
Antenna	Four External N-type Antennas (Supports MIMO)

Technology

Protocol	IP, DHCP, HTTPS, SNMP v1/v2, Trap, STP
IEEE	IEEE 802.3, IEEE 802.3u, IEEE 802.3x, IEEE 802.3ab
WLAN Operation Mode	AP / Client / Bridge / Repeater
Encryption Security	IEEE 802.11i PSK (256-bit Key Pre-shared Key Supported) 802.1x and RADIUS Supported
Wireless Security	ESSID Broadcast Disable, MAC Address Filter
Modulation Method	IEEE 802.11b (DSSS): CCK, DQPSK, DBPSK IEEE 802.11g/n (OFDM/DSSS): QAM-64, QAM-16, QPSK, BPSK
Data Transfer Rate	300 Mbps / Per Radio

Frequency Range

IEEE 802.11a/n	5.150 ~ 5.350 GHz, 5.470 ~ 5.725GHz, 5.725 ~ 5.850 GHz (US & Canada) 5.150 ~ 5.350 GHz, 5.470 ~ 5.725GHz, 5.725 ~ 5.875 GHz (Europe) 5.150 ~ 5.250 GHz, 5.250 ~ 5.350GHz, 5.470 ~ 5.725GHz (Japan)
IEEE 802.11b/g	2.412GHz ~ 2.462GHz (US & Canada) 2.412GHz ~ 2.472GHz (Europe) 2.412GHz ~ 2.484GHz (Japan)

Power

Protection	Ground Terminal built into pole mounting screw
Power Input	PoE
PoE standard	IEEE 802.3af
Power Consumption	10 Watts Per Radio
Radio Power	800mW

Mechanical Characteristics

Housing	IP67 Metal Enclosure
Dimensions	267 x 241 x 83 mm (10.5 x 9.5 x 3.25 in.)
Weight	Unit Weight: 5.65 lbs. Shipping Weight: 5.65 lbs.
Mounting	Pole mounting (Bracket Included)

Environmental Limits

Operating Temperature	STD: -20° to 70° C
Storage Temperature	-30°C ~ 80°C
Ambient Relative Humidity	5 to 95%, (non-condensing)

Regulatory Approvals

Green	RoHS Compliant
FCC	This device complies with part 15 of the FCC Rules
Warranty	5 Years

► Ordering Information

APX-5700 Outdoor IP67 IEEE 802.11a/b/g/n Wireless AP / Client/ Bridge with two Radios

Optional Accessories

PA-48-48-US	PoE Injector, Input 100-240VAC/2A, Output 48VDC/1A
LNP-201AG-T	Industrial IEEE 802.3af PoE injector
MDR-40-48	20 Watt Din-Rail Power Supply (48 VDC)
LNP-0500	5 Port Industrial PoE+ Ethernet Unmanaged switch