

INJ-C200G-bt-T

Industrial Gigabit IEEE 802.3bt Type 4 4PPoE Injector;
EOT: -40°C ~ 75°C



Features

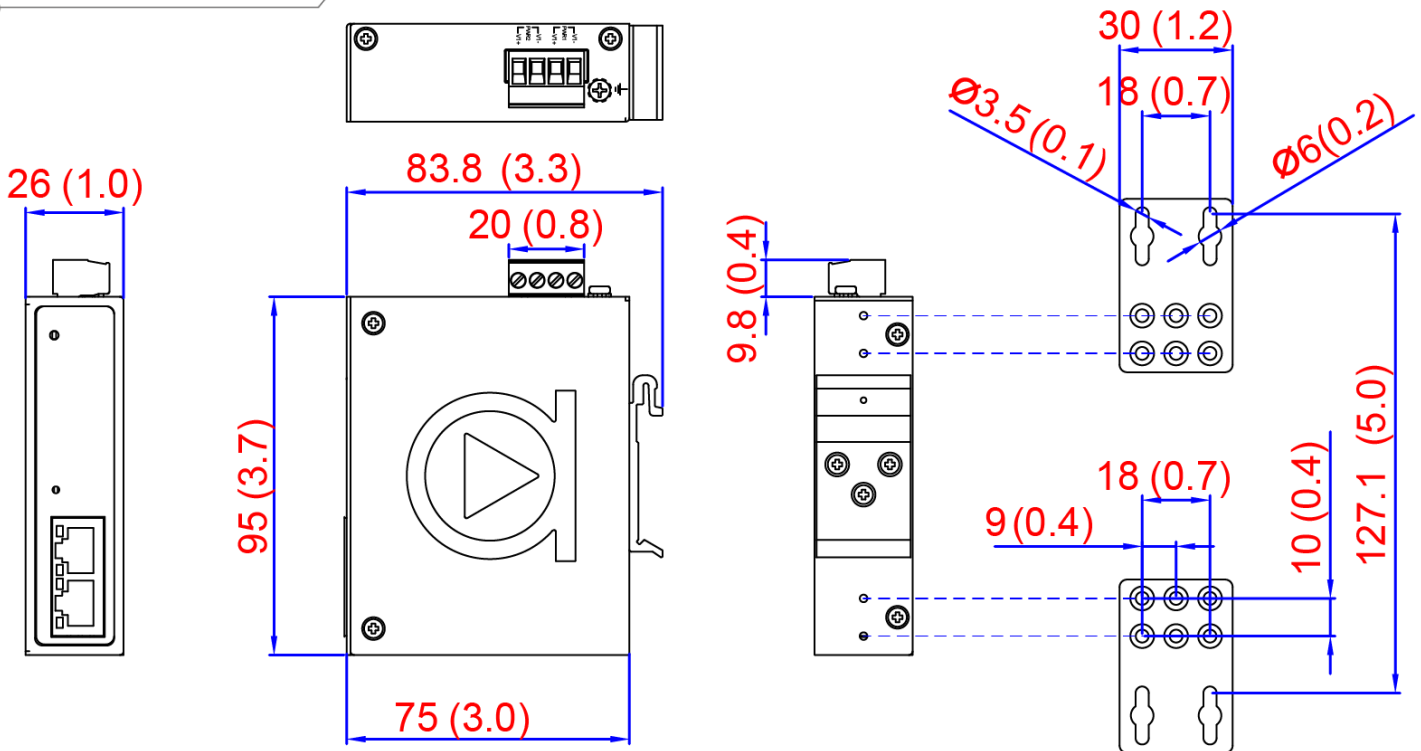
- ▶ Supports 2*10/100/1000Tx with 1*IEEE 802.3bt Compliant
- ▶ IEEE 802.3af/at Backwards Compatible
- ▶ Provides Data and Power over Ethernet to Power Device
- ▶ Provides up to 97 Watts on PoE port
- ▶ Power Input: 53~57VDC in 4-Pin Removable Terminal Block
- ▶ IP30 Rugged Metal Case Design
- ▶ DIN-Rail or Wall Mountable
- ▶ Operating Temperature Range: -40°C to 75°C
- ▶ 5-Year Warranty

INTRODUCTION

Antaira Technologies' INJ-C200G-bt-T is an industrial high-power IEEE 802.3bt Type 4 Power over Ethernet (PoE) injector that is backwards compatible with the previous IEEE 802.3af/at standards. By utilizing multiple pairs on the RJ45 cable this industrial-grade PoE injector is capable of providing up to 97 Watts of power to tail end devices. Each port supports 10/100/1000Tx with one port supporting PoE.

The INJ-C200G-bt-T is IP30 rated, DIN-rail and wall-mountable, and supports an extended operating temperature range of -40°C to 75°C, making it ideal for outdoor or harsh industrial applications.

DIMENSIONS



Unit: mm (inch)

Din-rail

Wall-mount

SPECIFICATIONS

Technology	
Standards	IEEE 802.3 10Base-T Ethernet IEEE 802.3u 100Base-TX Fast Ethernet IEEE 802.3ab 1000Base-T Gigabit Ethernet IEEE 802.3af/at/bt Power over Ethernet
Switch Properties	
Switch Architecture	14,880pps for Ethernet Port 148,800pps for Fast Ethernet Port 1,488,000pps for Gigabit Ethernet Port
Port Interface	
Ethernet Port	2*10/100/1000 Base-T(X) with 1*4PPoE (97W/Port)
PoE Pin Assignment	V+ for pin 3, 4, 5, 6 V- for pin 1, 2, 7, 8
LED Indicators	Power and PoE

Mechanical Characteristics	
Housing	Metal, IP30 protection
Dimensions	26 x 95 x 75 mm (W x H x D)
Weight	Unit: 0.60 lb Shipping: 1.0 lb
Mounting	DIN-Rail mounting, Wall mounting
Power Requirement	
Input Voltage	53~57VDC, Redundant Inputs
Power Connection	Removable 4-Contact Terminal Block
Overload Current Protection	Present
Reverse Polarity Protection	Present
System Power Consumption	1W
PoE Power Budget	97W
Environmental Limits	
Operating Temperature	-40°C to 75°C
Storage Temperature	-40°C to 100°C
Ambient Relative Humidity	5% to 95%, (non-condensing)
Regulatory Approvals	
EMI	FCC Part 15 Subpart B Class A, CE EN55032/EN61000-6-4 Class A
EMS	CE EN55035/EN61000-6-2 Class A, IEC61000-4-2,3,4,5,6,8
Free Fall	IEC60068-2-32
Shock	IEC60068-2-27
Vibration	IEC60068-2-6
Green	RoHS Compliant
Certifications	FCC, CE
Warranty	5 Years

ORDERING INFO

INJ-C200G-bt

Industrial Gigabit IEEE 802.3bt Type 4 4PPoE Injector; EOT: -40°C to 75°C